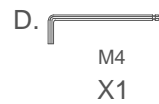
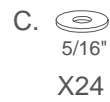
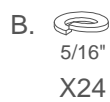
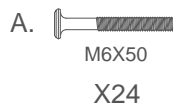


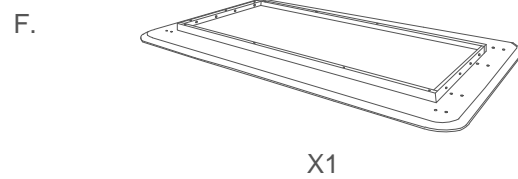
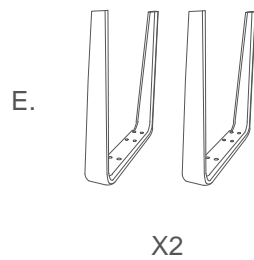
ASSEMBLY INSTRUCTIONS

Please read the instructions carefully for correct and safe assembly.

1 HARDWARE

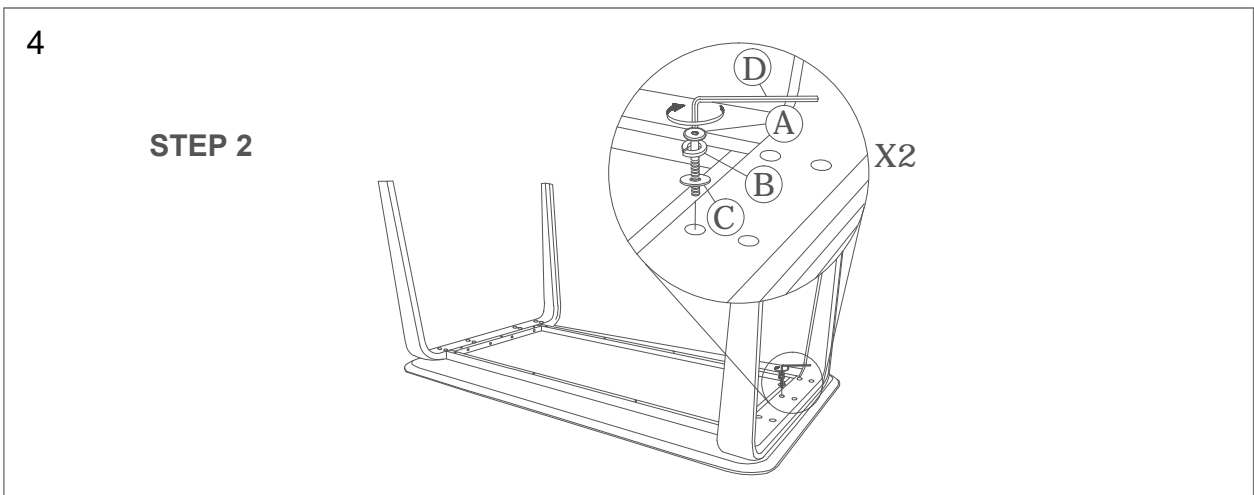
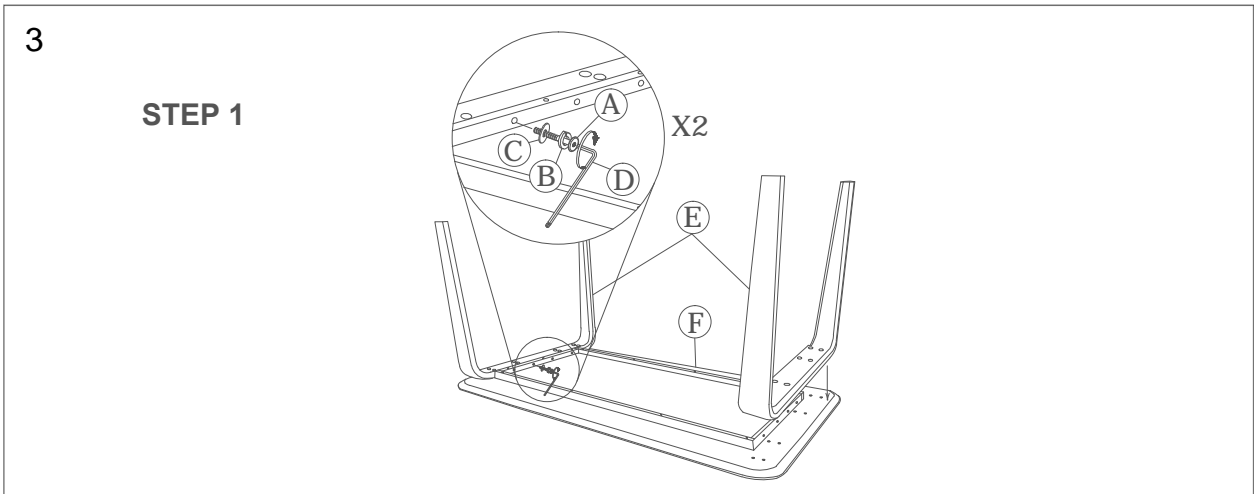


2 COMPONENT



ASSEMBLY INSTRUCTIONS

Please read the instructions carefully for correct and safe assembly.



Article number 1001656

ASSEMBLY INSTRUCTIONS

Please read the instructions carefully for correct and safe assembly.



ASSEMBLY INSTRUCTIONS