

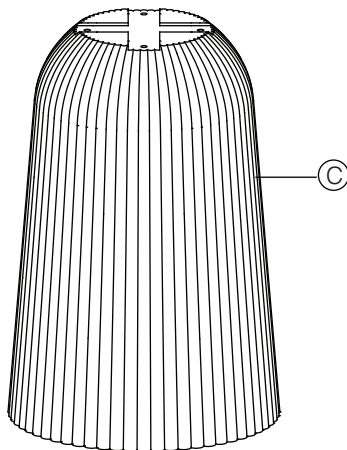
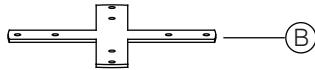
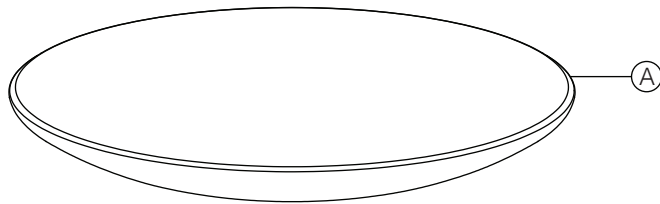
# ASSEMBLY INSTRUCTIONS

Please read the instructions carefully for correct and safe assembly.

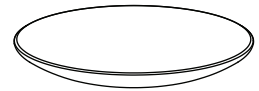
Name product: Dining Table Brison

Article number: 1001702/1001704

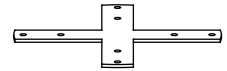
## Fittings and parts checklist



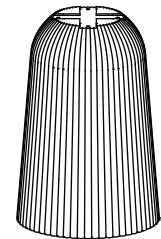
(A) x1



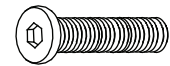
(B) x1



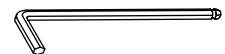
(C) x1



(D) M8X20  
x4



(E) x1

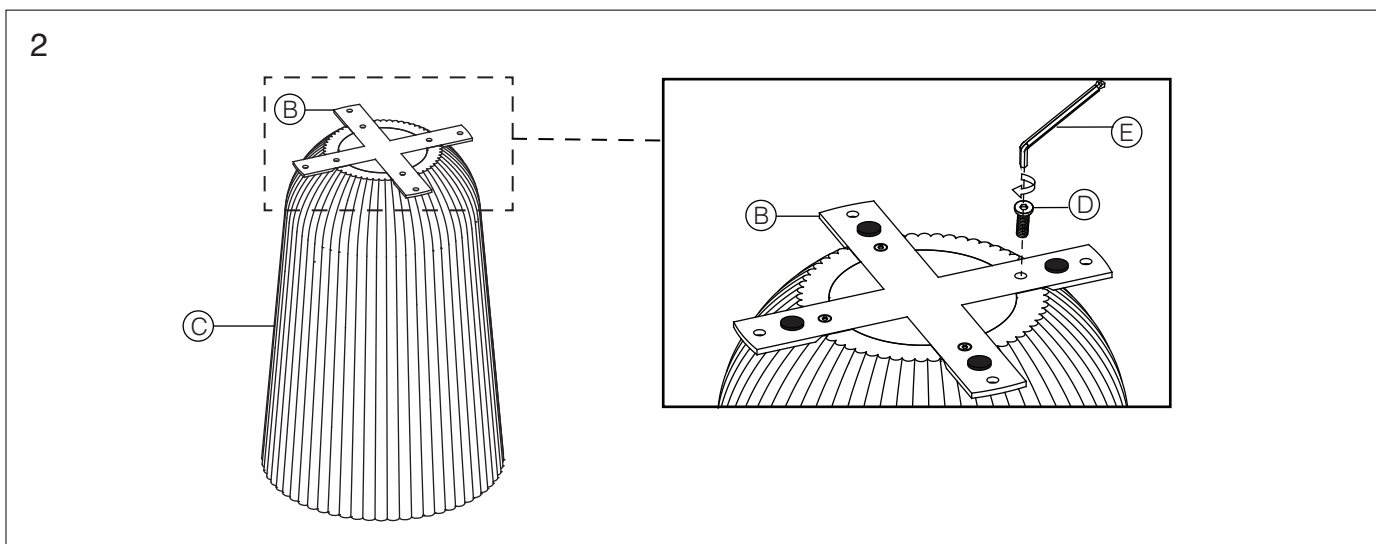
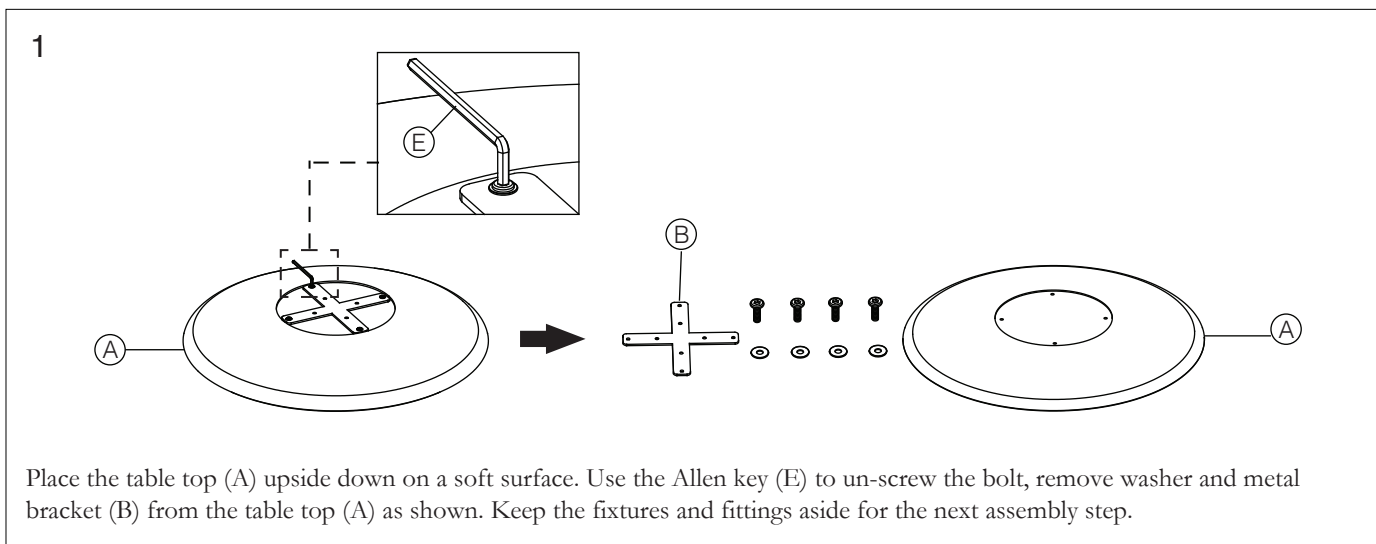


**Thank you for  
purchasing this  
Dutchbone product.**

## ASSEMBLY INSTRUCTIONS

Please read the instructions carefully for correct and safe assembly.

Name product: Dining Table Brison  
Article number: 1001702/1001704



**Thank you for  
purchasing this  
Dutchbone product.**

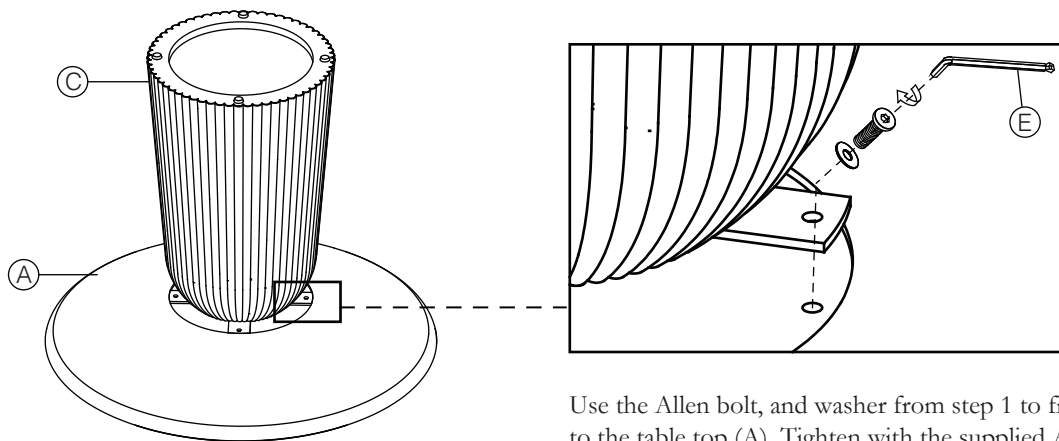
## ASSEMBLY INSTRUCTIONS

Please read the instructions carefully for correct and safe assembly.

Name product: Dining Table Brison

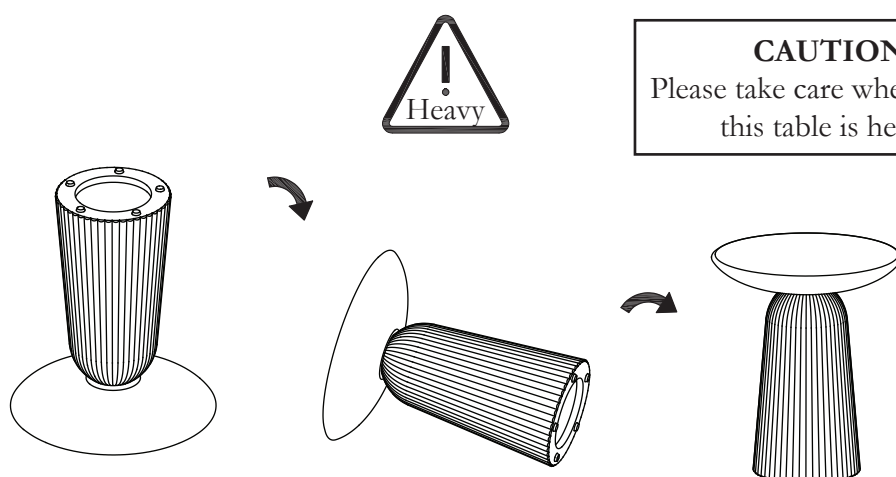
Article number: 1001702/1001704

3



Use the Allen bolt, and washer from step 1 to fix the base (C) to the table top (A). Tighten with the supplied Allen key (E).

4



**CAUTION!**  
Please take care when lifting,  
this table is heavy!

**Thank you for  
purchasing this  
Dutchbone product.**

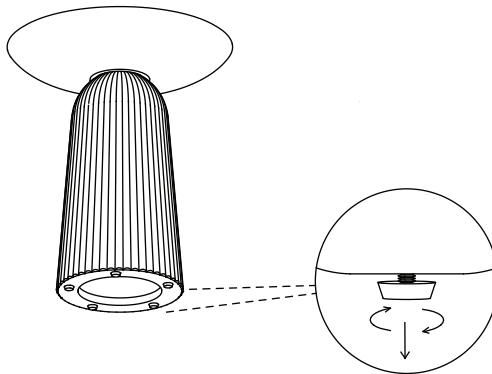
## ASSEMBLY INSTRUCTIONS

Please read the instructions carefully for correct and safe assembly.

Name product: Dining Table Brison

Article number: 1001702/1001704

5



### CAUTION!

Please take care when lifting,  
this table is heavy!  
Please lift by holding the top  
and bottom parts together to  
prevent any damage to the base!

**Thank you for  
purchasing this  
Dutchbone product.**

## Care guide

### Care and maintenance

#### 1. Regular Cleaning

- **Dusting:** Regularly dust the table with a soft, dry cloth to remove surface dust and dirt.
- **Cleaning Solution:** Use a mild detergent mixed with water to clean the table. Avoid harsh chemicals, abrasive cleaners, or acidic substances, as these can damage the surface.
- **Wiping:** Wipe the table with a damp cloth, then immediately dry it with a clean, dry cloth to prevent water spots or streaks.
- **Important:** Do not use a pressure washer, harsh chemicals, or abrasive cleaners.

#### 2. Protection

- **Coasters and Placemats:** Use coasters, placemats, or trivets to protect the surface from hot dishes, spills, and scratches.
- **Felt Pads:** Attach felt pads to decorative items, lamps, and other objects to prevent scratching.
- **Avoid Direct Sunlight:** Prolonged exposure to direct sunlight may cause discoloration. Use window treatments to filter UV rays, or keep curtains closed when the table is near windows or glass doors.
- **Moisture:** Wipe away any standing water or other liquids immediately. Prolonged exposure to moisture can cause permanent damage.
- **Ventilation:** Do not place the table near heating or cooling vents (e.g., air conditioners, heaters).
- **Sharp Objects:** Avoid using knives or other sharp tools directly on the surface. Always use a cutting board or plate to prevent damage.

#### 3. Sealing

- This table is coated with a top sealant, making it suitable for both indoor and outdoor use. Over time, especially with prolonged outdoor exposure, the surface may become slightly more porous. In such cases, we recommend applying an additional protective sealant suitable for both interior and exterior use.
- **Re-sealing:** Reapply the sealant every 1–2 years, or as directed by the manufacturer, to maintain optimal protection.
- **Type of Sealant:** Use a protective, invisible, matte-finish, siloxane-based sealer such as Valspar 82092 Clear. (Note: This is not a product endorsement. Other brands may also be suitable. For professional advice, please consult a reputable DIY store.)

#### 4. Stain Removal

- **Immediate Action:** Blot spills immediately with a clean, dry cloth to prevent staining.
- **Stain Removers:** For stubborn stains, use a pH-neutral cleaner specifically designed for stone surfaces. Test on a small, hidden area first to ensure compatibility.

#### 5. Outdoor Use

- **Weather Protection:** When used outdoors, protect the table from extreme weather by covering it with a waterproof, UV-resistant cover when not in use.
- **Storage:** If possible, store the table under a covered area during adverse weather conditions.

# DUTCH BONE

## **Additional Tips**

- **Avoid Dragging:** Lift objects rather than dragging them across the table to prevent scratches.
- **Stable Surface:** Ensure the table is placed on a level surface.
- **Seasonal Care:** Adapt your care routine to seasonal changes. For instance, in humid conditions, ensure good ventilation to prevent moisture buildup.
- **Check Fixtures:** Periodically check that all fixtures and fittings are securely tightened.

## **Important Safety Information**

Ensure the furniture is installed correctly by a qualified person.

We are not liable for any damage or injury resulting from improper installation or assembly.