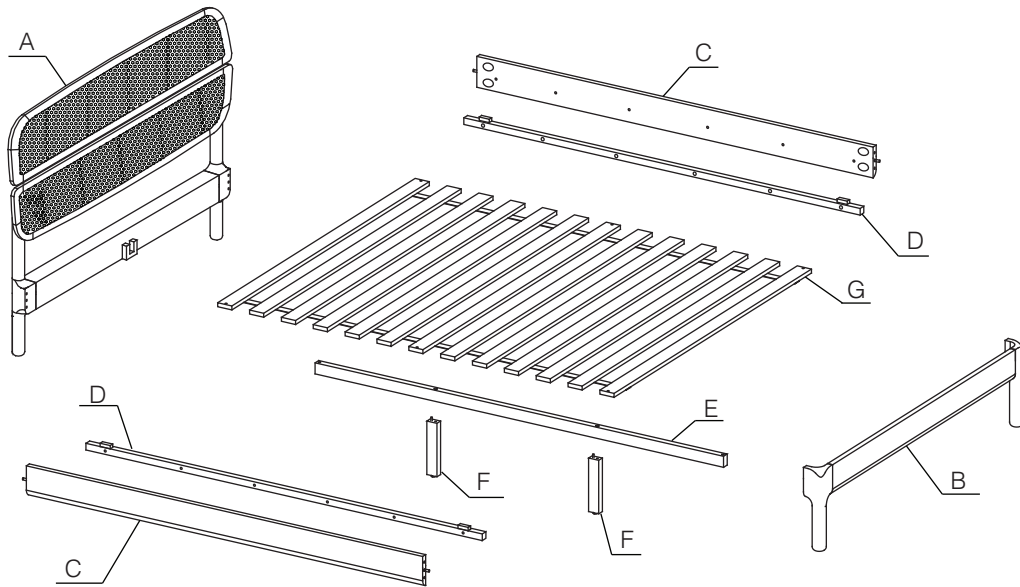


ASSEMBLY INSTRUCTIONS

Please read the instructions carefully for correct and safe assembly.

Fittings and parts checklist



(A) x1	(B) x1	(C) x2	(D) x2	(E) x1	(F) x2	(G) x1	(H) M8x80 x8
(I) M8 x8	(J) M8 x8	(K) M6 x 35 x12	(L) M6 x 50 x2	(M) M4 x 30 x6	(N) x4	(O) M13 x1	(P) #4 x1

**Thank you for
purchasing this
Zuiver product.**

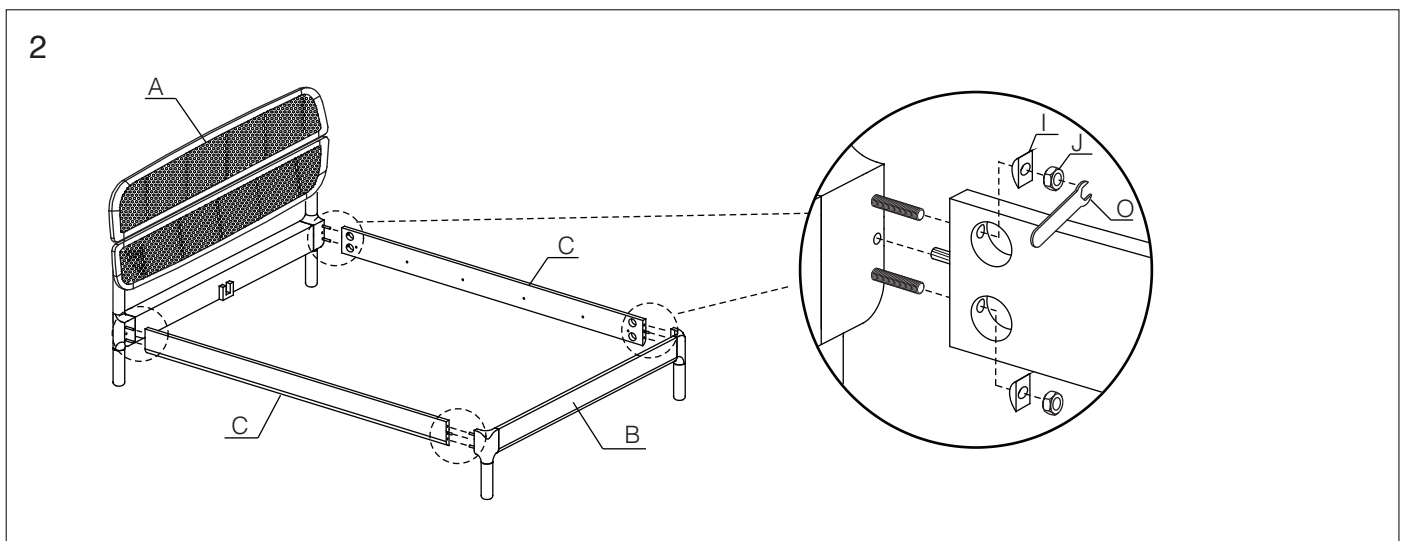
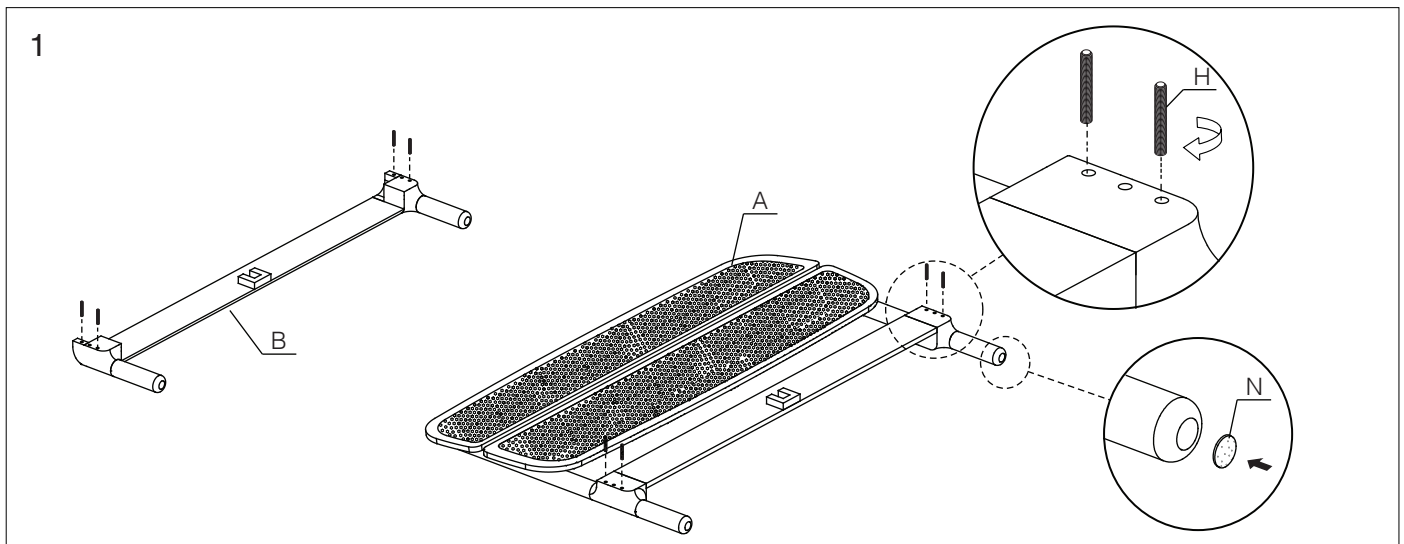
zuiver^o

Name product: Bed Storm Webbing
Natural 160

Article number: 1001807

ASSEMBLY INSTRUCTIONS

Please read the instructions carefully for correct and safe assembly.



**Thank you for
purchasing this
Zuiver product.**

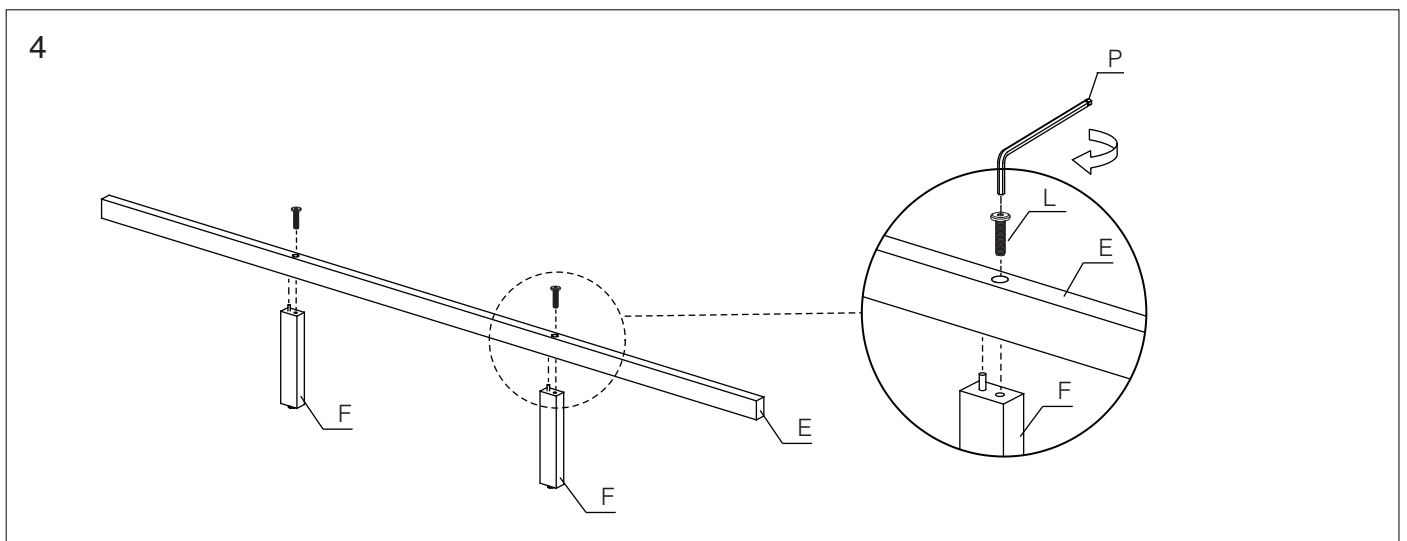
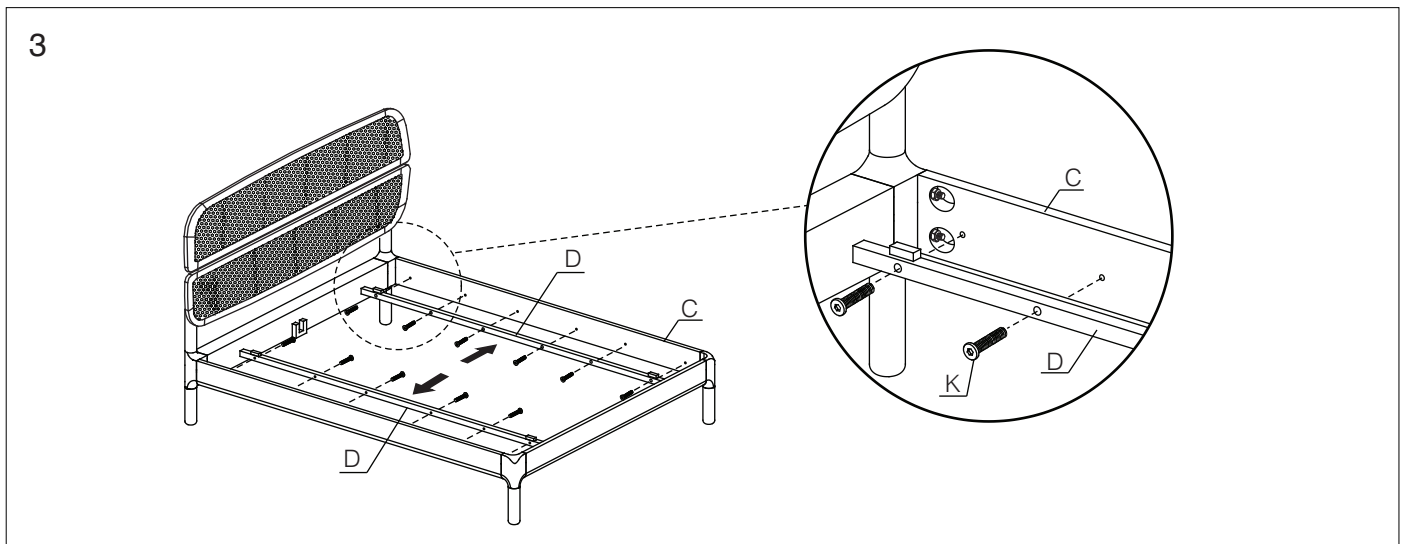
zuiver^o

Name product: Bed Storm Webbing
Natural 160

Article number: 1001807

ASSEMBLY INSTRUCTIONS

Please read the instructions carefully for correct and safe assembly.



**Thank you for
purchasing this
Zuiver product.**

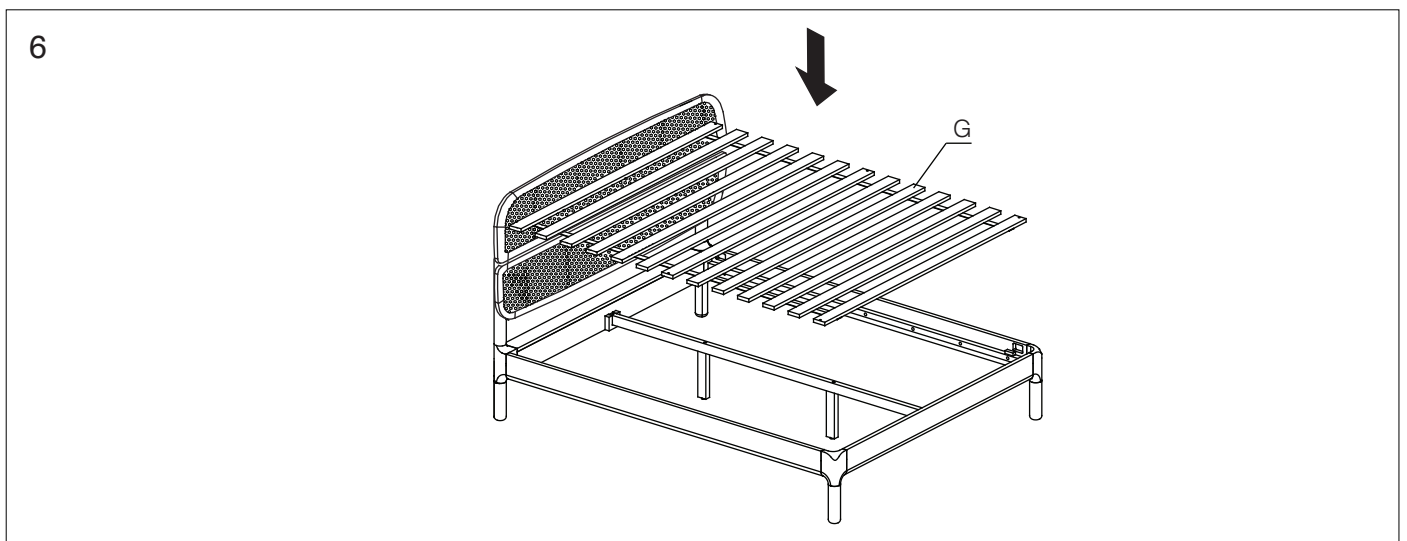
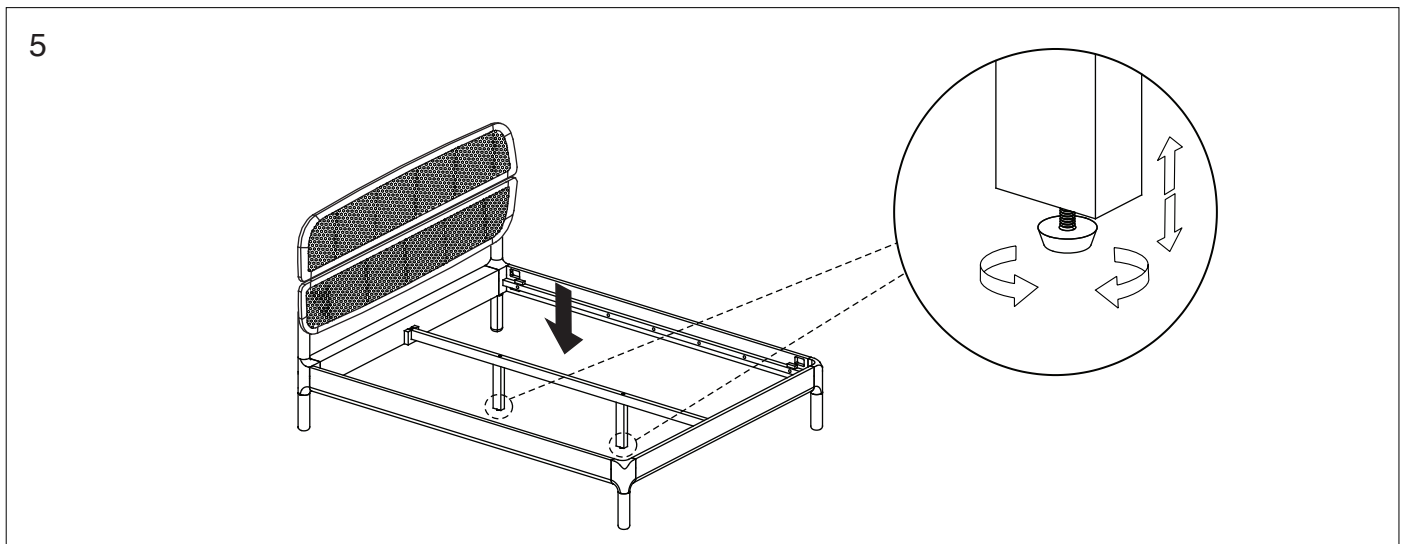
zuiver^o

Name product: Bed Storm Webbing
Natural 160

Article number: 1001807

ASSEMBLY INSTRUCTIONS

Please read the instructions carefully for correct and safe assembly.



**Thank you for
purchasing this
Zuiver product.**

zuiver^o

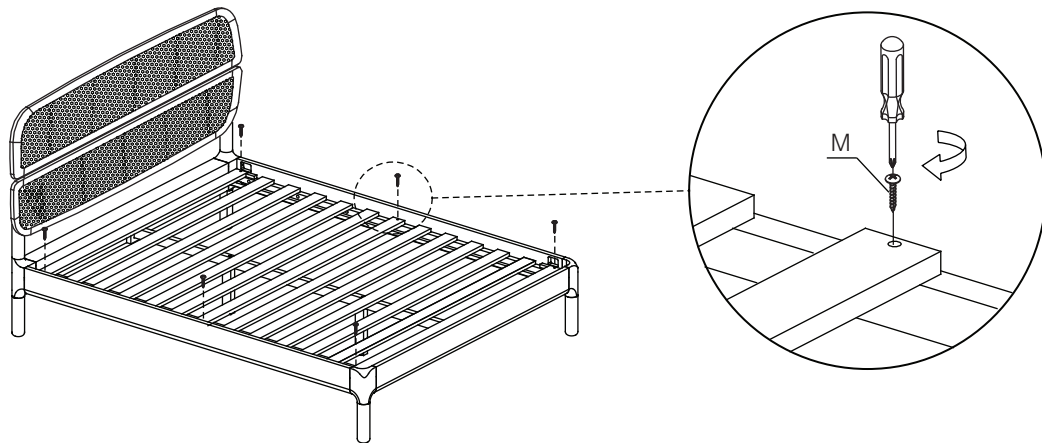
Name product: Bed Storm Webbing
Natural 160

Article number: 1001807

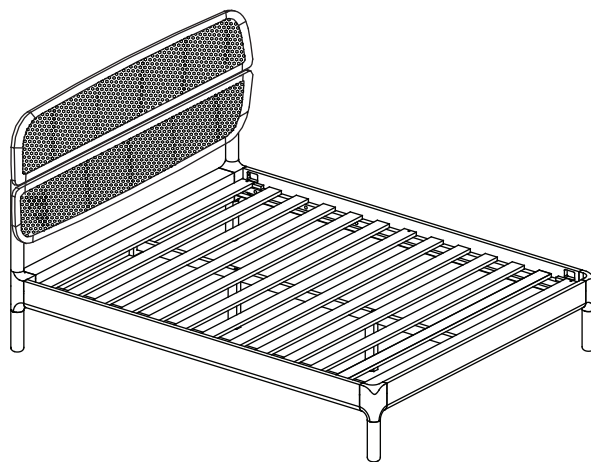
ASSEMBLY INSTRUCTIONS

Please read the instructions carefully for correct and safe assembly.

7



8



**Thank you for
purchasing this
Zuiver product.**

zuiver^o

Care and Maintenance

1. Intended Use

- This bed is designed for domestic indoor use by adults. The product is intended for sleeping and resting purposes only and has been designed with consideration to the requirements of EN 1725 (Domestic beds – Requirements and test methods).
- The bed is not intended for commercial, contract, or public use unless otherwise specified.

2. Load Capacity & Safe Use

- The bed is designed to withstand a maximum static load of 400 kg, evenly distributed across the mattress support/base.
- The 400 kg refers to a distributed vertical static load, including mattress and occupants.
- Loads must be evenly distributed across the sleeping surface.
- Concentrated loads or point loading must be avoided.
- Jumping or bouncing on the bed is strictly prohibited.
- Applying dynamic impact loads is not permitted.
- Standing on the frame, side rails, headboard, or footboard is not permitted.
- Sitting on structural elements not designed for seating is not permitted.
- Dynamic or impact loading may exceed the design limits defined for domestic use under EN 1725 and may result in structural damage or risk of injury.

3. Environmental Conditions

- Use indoors only.
- Keep away from direct sunlight to minimise fading.
- Avoid proximity to radiators, fireplaces, or HVAC outlets.
- Avoid extreme or rapid changes in temperature and humidity.
- Excessive moisture may cause swelling.
- Very dry conditions may cause shrinkage or cracking.

4. Cleaning & Surface Care

- Clean regularly using a soft, dry cloth.
- For light cleaning, use a slightly damp cloth and wipe dry immediately.
- Do not use excessive water.
- Do not use abrasive cleaners, solvents, ammonia, bleach, or silicone-based products.
- Immediately remove any liquid spills to prevent surface damage.

zuiver^o

5. Assembly & Periodic

- Assemble strictly in accordance with the supplied assembly instructions.
- Ensure all fittings are securely tightened during assembly.
- Re-tighten all accessible fasteners after 2–4 weeks of use.
- Periodically inspect all structural connections and fittings.
- Incorrect assembly may affect the structural performance requirements under EN 1725.

6. Handling & Relocation

- Lift the bed when moving; do not drag across the floor.
- Disassemble prior to relocation whenever possible.
- Protect all surfaces during transport.
- Store only in dry indoor conditions.

Designed in accordance with EN 1725 – Domestic Use

Euro standard King size mattress<200x160cm> is to be used for this bed.